



PRODUCT CATALOG

China FRP Profiles & Gratings

Brochure for
FRP Caged Ladders

Professional Composite Manufacturer & Solution Designer

Aocomm Composite Co., Ltd.

Contact: info@cofiberial.com

https://www.cofiberial.com

02. FRP Caged Ladder

With Good Stability, UV Protected and Longevity

FRP caged ladders are assembled with FRP pultrusion profiles. They are produced by a premium grade polyester resin system with the strong points of anti-corrosion, good stability and non-slippery elastomer feet.

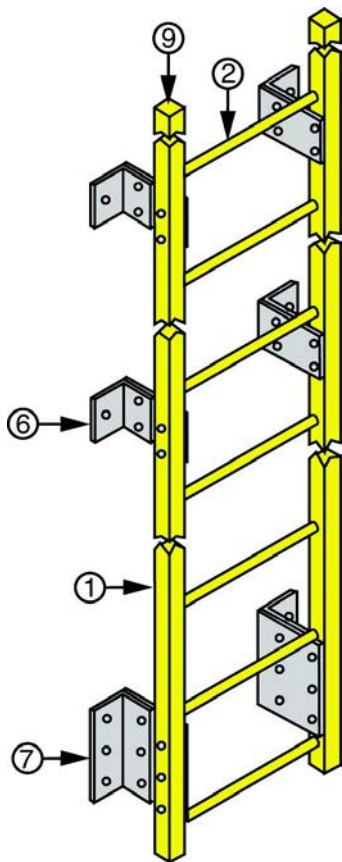
FRP caged ladders are mainly to ensure the safety of workers who are working at heights.

They are gradually become an ideal safety protection solution in corrosive environments, such as chemical plant, water and sewage water treatment plant. They are also widely used in electric power plant. In addition, they are also used in family as uphill tools.



Components

The main components are as follow.



1. Side rail.

- (1) Square tube.
- (2) Rectangular tube.

2. Ladder Rung.

3. Top or bottom hoop.

4. Intermediate.

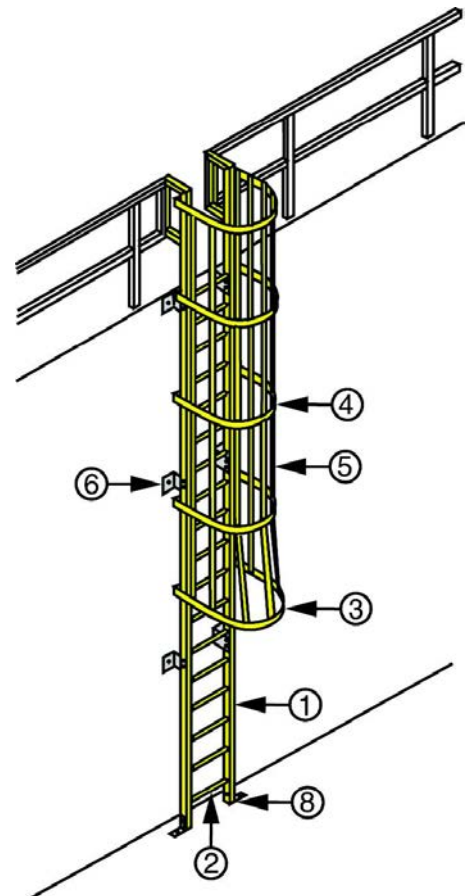
5. Cage straps.

6. Standoff bracket.

7. Standoff bracket.

8. Base angle.

9. End plug.



Features

- Corrosion resistant.
- Longevity.
- UV protected
- High strength.
- Easy to install.
- Good stability.
- Non-conductive.

Application Fields

- Chemical Processing
- Water & Sewage Treatment
- Electricity & Energy
- Oil & Gas
- Mechanical Engineering
- Building & Constructions





AOCOMM[®]

AOCOMM COMPOSITE CO., LTD.

Office:

C Valley-China Communications
Construction, Dongjiang Port,
Tianjin Free Trade Zone.

Factory:

No. 188, Fuqiang North Road,
Zaoqiang County, Hebei
Province, China.

E-mail:

info@cofiberial.com

Website:

www.cofiberial.com